

Notification Appliances

AS & AH – Audible Horn | Strobe / Audible Horn Appliances **Application:** Indoor / Outdoor



AS-MC-CW



AS-MC-R



AH-R



AH-W

Product Overview

- Fast installation with In / Out screw terminals using #12 to #18 AWG wires
- Synchronization can be done via the Siemens 50-point, 252-point and 504-point fire alarm control panels (FACPs), as well as with:
 - FireFinder® XLS and MXL® FACPs
 - PAD-3 or PAD-4™ NAC Extenders with built-in sync protocol
 - Siemens Dual Sync (DSC) modules
- Selectable Continuous Horn or Temporal (Code 3)
- Wall mounts are available with field-selectable Candela settings: 15/30/75/110cd or 135/185cd
- Ceiling-mount models are available with field-selectable Candela settings: 15/30/75/95cd or 115/177cd (multi-Candela ceiling models)
- Three (3) field-selectable dBA settings of 90/95/99 dBA Anechoic in both tones
- Weatherproof wall-mount models are available with field-selectable Candela settings: 135/185cd
- Weatherproof ceiling-mount models are available with field-selectable Candela settings: 115/177cd
- ®UL Listed & ®ULC Listed;
FM (#3150) and CSFM Approved (#7125-0067:0247 → Fire Alarm Devices For The Hearing Impaired)
- ADA / NFPA / UFC / ANSI compliant

Specifications

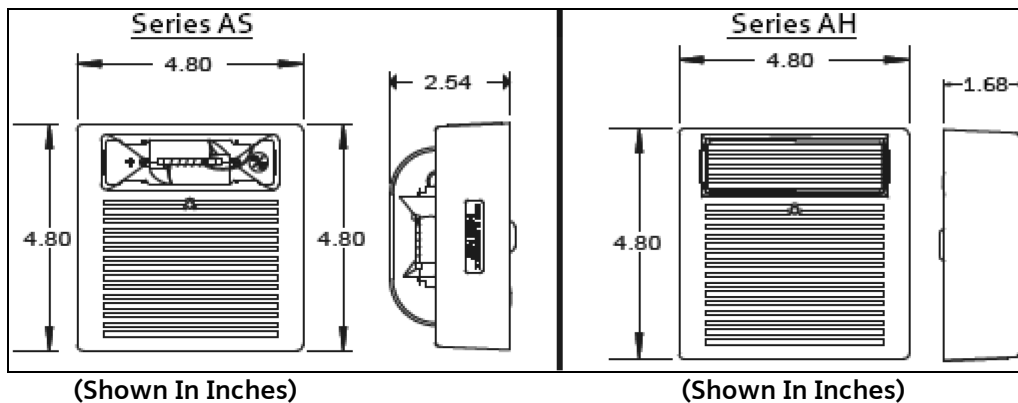
- Notification appliances are Siemens Series 'AS' Audible Horn | Strobe appliances and Series 'AH' Audible Horn appliances or approved equals
- Series 'AS' Audible Horn | Strobes are listed for ®UL Standard 1971 (Emergency Devices for the Hearing-Impaired for Indoor Fire Protection Service)
- Series 'AH' Audible Horns are ®UL Listed under Standard 464 (Fire Protective Signaling)
- All inputs are compatible with standard reverse polarity supervision of circuit wiring by the Siemens Fire Alarm Control Panel (FACP)
- The audible portion of each appliance has a minimum of three (3) field-selectable settings for dBA Anechoic levels, as well as a choice of continuous or temporal (Code 3) audible outputs
- The strobe portion of each appliance produces a flash rate of one (1) flash-per-second over the Regulated Input Voltage Range, and incorporate a Xenon flashtube enclosed in a rugged Lexan® lens

AS / AH Series Notification Appliances **2578**

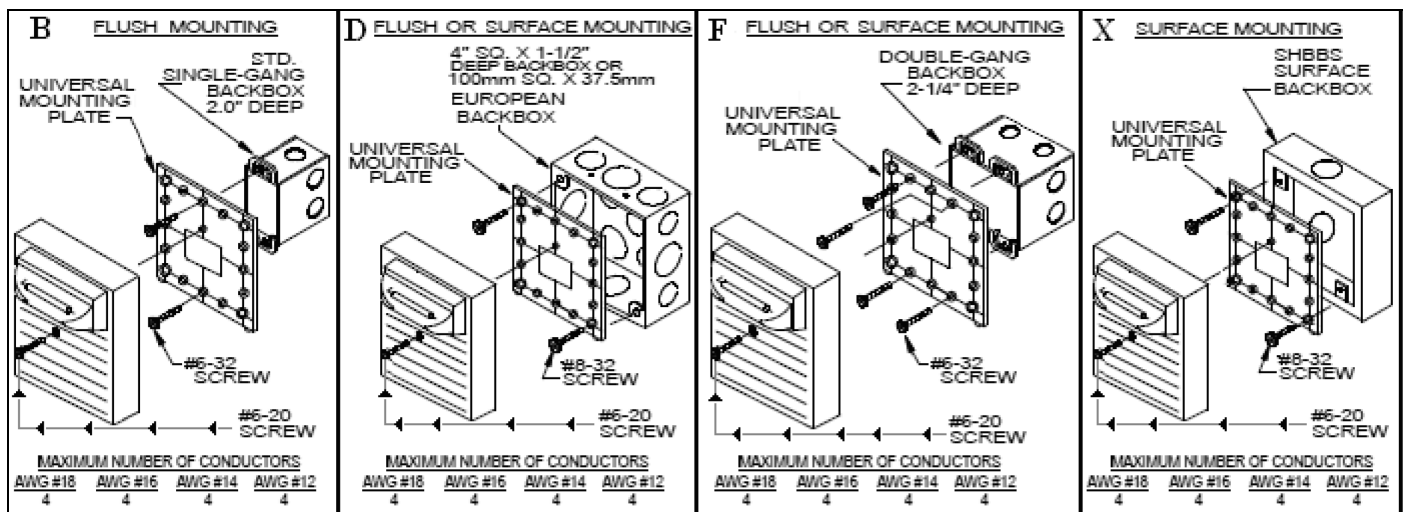
Specifications – (continued)

- Series 'AS' Horn | Strobe appliances are of low current design
- Strobe intensity (where Multi-Candela appliances are specified) is easily controlled by field-selectable settings, and is rated per @UL Standard 1971 for:
 - 15/30/75/110cd
 - 135/185cd
- When synchronization is required, Series 'AS' horn | strobe appliances are compatible with the Siemens 50-point, 252-point and 504-point fire alarm control panels (FACPs), as well as with:
 - FireFinder® XLS and MXL® FACPs
 - PAD-3 or PAD-4™ NAC Extenders with built-in sync protocol
 - Siemens DSC modules
- The strobes will not drift out of synchronization at any time during operation
- The strobes will revert to a non-synchronized flash-rate, if the sync module or Power Supply should fail to operate (i.e. – contacts remain closed)
- The appliance is also designed so that the audible signal may be silenced while maintaining strobe activation when used with Siemens synchronization
- The Series 'AS' Horn | Strobe and Series 'AH' Horn appliances incorporate a Patented Universal Mounting Plate that allow mounting to a single-gang, double-gang, 4-inch (10.2 cm.) square, Siemens SHBBS-Series surface backbox
- All notification appliances are listed for Special Applications:
 - Strobes are designed to flash at 1-flash-per-second minimum over their "Regulated Input Voltage Range"
- **Note:** NFPA-72 specifies a flash rate of 1-to-2 flashes per second, and ADA Guidelines specify a flash rate of 1-to-3 flashes per second
 - All Candela ratings represent minimum-effective Strobe intensity, based on @UL Standard 1971

Mounting Diagram



Mounting Options



Technical Data

AS-MC Series: Wall Mount

Current Ratings (AMPs)		MAXIMUM RMS Current – with <u>Hi</u> dBA Setting			
Input Voltage		15cd	30cd	75cd	110cd
DC	16.0 – 33.0VDC	0.094	0.133	0.212	0.283
FWR	16.0 – 33.0VRMS	0.134	0.191	0.307	0.405

Current Ratings (AMPs)		MAXIMUM RMS Current – with <u>Med</u> dBA Setting			
Input Voltage		15cd	30cd	75cd	110cd
DC	16.0 – 33.0VDC	0.079	0.117	0.202	0.269
FWR	16.0 – 33.0VRMS	0.119	0.183	0.292	0.397

Current Ratings (AMPs)		MAXIMUM RMS Current – with <u>Low</u> dBA Setting			
Input Voltage		15cd	30cd	75cd	110cd
DC	16.0 – 33.0VDC	0.073	0.112	0.193	0.260
FWR	16.0 – 33.0VRMS	0.112	0.176	0.287	0.393

AS-HMC Series: Wall and Ceiling Mount

Current Ratings (AMPs)		MAXIMUM RMS Current – with <u>Hi</u> dBA Setting			
Input Voltage		115cd	135cd	177cd	185cd
DC	16.0 – 33.0VDC	0.356	0.356	0.488	0.488
FWR	16.0 – 33.0VRMS	0.499	0.499	0.705	0.705

Current Ratings (AMPs)		MAXIMUM RMS Current – with <u>Med</u> dBA Setting			
Input Voltage		115cd	135cd	177cd	185cd
DC	16.0 – 33.0VDC	0.361	0.361	0.493	0.493
FWR	16.0 – 33.0VRMS	0.509	0.509	0.716	0.716

Current Ratings (AMPs)		MAXIMUM RMS Current – with <u>Low</u> dBA Setting			
Input Voltage		115cd	135cd	177cd	185cd
DC	16.0 – 33.0VDC	0.356	0.356	0.499	0.499
FWR	16.0 – 33.0VRMS	0.488	0.488	0.705	0.705

AS-HMC Series, Weatherproof: Wall Mount

Current Ratings (AMPs)		MAXIMUM RMS Current – with <u>Hi</u> dBA Setting	
Input Voltage		135cd	185cd
DC	16.0 – 33.0VDC	0.356	0.488
FWR	16.0 – 33.0VRMS	0.499	0.705

Current Ratings (AMPs)		MAXIMUM RMS Current – with <u>Med</u> dBA Setting	
Input Voltage		135cd	185cd
DC	16.0 – 33.0VDC	0.361	0.493
FWR	16.0 – 33.0VRMS	0.509	0.716

Current Ratings (AMPs)		MAXIMUM RMS Current – with <u>Low</u> dBA Setting	
Input Voltage		135cd	185cd
DC	16.0 – 33.0VDC	0.356	0.499
FWR	16.0 – 33.0VRMS	0.488	0.705

AS-MC-C Series: Ceiling Mount

Current Ratings (AMPs)		MAXIMUM RMS Current – with <u>Hi</u> dBA Setting			
Input Voltage		15cd	30cd	75cd	95cd
DC	16.0 – 33.0VDC	0.101	0.147	0.235	0.303
FWR	16.0 – 33.0VRMS	0.144	0.202	0.324	0.424

Current Ratings (AMPs)		MAXIMUM RMS Current – with <u>Med</u> dBA Setting			
Input Voltage		15cd	30cd	75cd	95cd
DC	16.0 – 33.0VDC	0.085	0.130	0.213	0.285
FWR	16.0 – 33.0VRMS	0.132	0.185	0.312	0.414

Current Ratings (AMPs)		MAXIMUM RMS Current – with <u>Low</u> dBA Setting			
Input Voltage		15cd	30cd	75cd	95cd
DC	16.0 – 33.0VDC	0.079	0.120	0.210	0.279
FWR	16.0 – 33.0VRMS	0.122	0.180	0.308	0.409

AS-HMC-C Series, Weatherproof: Ceiling Mount

Current Ratings (AMPs)		MAXIMUM RMS Current – with <u>Hi</u> dBA Setting	
Input Voltage		115cd	177cd
DC	16.0 – 33.0VDC	0.546	0.742
FWR	16.0 – 33.0VRMS	0.546	0.742

Current Ratings (AMPs)		MAXIMUM RMS Current – with <u>Med</u> dBA Setting	
Input Voltage		115cd	177cd
DC	16.0 – 33.0VDC	0.509	0.716
FWR	16.0 – 33.0VRMS	0.509	0.716

Current Ratings (AMPs)		MAXIMUM RMS Current – with <u>Low</u> dBA Setting	
Input Voltage		115cd	177cd
DC	16.0 – 33.0VDC	0.488	0.705
FWR	16.0 – 33.0VRMS	0.488	0.705

AS-75 Series, Weatherproof: Wall & Ceiling Mount

Current Ratings (AMPs)		MAXIMUM RMS Current – with <u>Hi</u> dBA Setting	
Input Voltage		30cd / 180cd (per ©UL1971)	115cd (per ©UL1638)
DC	16.0 – 33.0VDC	0.178	0.178
FWR	16.0 – 33.0VRMS	0.249	0.249

Current Ratings (AMPs)		MAXIMUM RMS Current – with <u>Med</u> dBA Setting	
Input Voltage		30cd / 180cd (per ©UL1971)	115cd (per ©UL1638)
DC	16.0 – 33.0VDC	0.164	0.164
FWR	16.0 – 33.0VRMS	0.239	0.239

Current Ratings (AMPs)		MAXIMUM RMS Current – with <u>Low</u> dBA Setting	
Input Voltage		30cd / 180cd (per ©UL1971)	115cd (per ©UL1638)
DC	16.0 – 33.0VDC	0.159	0.159
FWR	16.0 – 33.0VRMS	0.233	0.233

Technical Data

AH Series: Wall-only Mount

®UL Current Ratings (AMPS)		Average Current		
Volume Levels		Low	Medium	High
DC	16.0 – 33.0VDC	0.021	0.043	0.080
FWR	16.0 – 33.0VRMS	0.041	0.051	0.090

AH Series: Wall-only Mount

®ULC Current Ratings (AMPS)		Average Current		
Volume Levels		Low	Medium	High
	20.0 VDC	0.014	0.020	0.035
	24.0 VDC	0.017	0.025	0.050
	31.0 VDC	0.021	0.030	0.065

AH Series

Description	®UL / ®ULC dBA Sound Output						
	Volume Levels	Reverberant [Per ®UL464 @ 10 Ft.]			Anechoic [Per ®ULC-S525-99]		
		16VDC	24VDC	33VDC	20VDC	24VDC	31VDC
Continuous Horn	Low	80	83	86	88	90	92
	Medium	85	88	91	90	95	97
	High	88	91	93	92	97	99
Code 3 Horn or March Time**	Low	75	79	82	88	90	92
	Medium	80	84	86	90	95	97
	High	84	87	90	92	97	99

** Available in sync mode only

AH Series

®ULC Directional Characteristics
-3 dBA: 48 degrees left, 41 degrees right
-6 dBA: 50 degrees left, 58 degrees right

Note: These notification appliances are ®UL Listed as "Special Application". They are intended to be used only with Siemens notification appliances.

AS Weatherproof Series

®UL / ®ULC Models and Ratings					
Model*	Operating Voltage (Special Application) Per ®UL 1638, ®UL1971 and ®UL464 (VDC/VRMS)	Voltage Range Per CAN/®ULC-S525-99/ S526-02 (VDC/VRMS)	®UL Rated Strobe Candela (cd)		®ULC Rated Light Output (cd)
			At -40°C, per ®UL1638	®UL1971	
AS-75-R-WP	16.0 – 33.0	20.0 – 33.0	115	30 / 180 *	30
AS-75-CR-WP	16.0 – 33.0	~	115	30 / 180 *	~
AS-HMC-C-WP*	16.0 – 33.0	~	50 / 75	115 / 177	~
AS-HMC-WP*	16.0 – 33.0	~	65 / 90	135 / 185	~

* Available in red or white.

AS-MC and AS-HMC Series

®UL Listed Ratings		
Model*	Operating Voltage (Special Application) Per ®UL 1971 (VDC / VRMS)	Strobe Candela (cd)
AS-HMC	16.0 - 33.0	135 / 185
AS-MC	16.0 - 33.0	15/30/75/110
AS-MC-C	16.0 - 33.0	15/30/75/95

dBA Sound Output				
Description	Volume	Reverberant Per ®UL 464		
		16.0 VDC	24.0 VDC	33.0 VDC
Continuous Horn	Low	80	83	86
	Medium	85	88	91
	High	88	91	93
Code 3 Horn (or March Time)**	Low	75	79	82
	Medium	80	84	86
	High	84	87	90

** Available only in sync mode.

- Notes:**
1. Strobe will produce 1 flash-per-second over the Input Voltage range.
 2. This strobe/horn model meets the required light distribution patterns defined in ®UL 1971.
 3. This model is ®UL Listed for indoor use with a temperature range of +32°F to +120°F (0°C to +49°C) and maximum humidity of 93% + 2% RH.

The effect of shipping and storage temperatures will not adversely affect the performance of the appliance when it is stored in the original cartons, and is not subjected to either misuse or improper handling of shipment.

Details for Ordering – (Including Mounting Options & Agency Approvals)

Agency Approvals

Model	Part Number	Wall Mount	Ceiling Mount	Description	Mounting Options*	UL	ULC	FM	CSFM
AS-MC-R	500-636010	YES	–	AS Horn Strobe: Multi-Candela, Red	A,B,D,E,F,G,J,N,R,X	✓	✓	✓	✓
AS-MC-W	500-636011	YES	–	AS Horn Strobe: Multi-Candela, White	A,B,D,E,F,G,J,N,R,X	✓	✓	✓	✓
AS-HMC-R	500-636012	YES	–	AS Horn Strobe: Hi Multi-Candela, Red	A,B,D,E,F,G,J,N,R,X	✓	✓	✓	✓
AS-HMC-W	500-636013	YES	–	AS Horn Strobe: Hi Multi-Candela, White	A,B,D,E,F,G,J,N,R,X	✓	✓	✓	✓
AS-MC-CR	500-636006	–	YES	AS Horn Strobe: Multi-Candela Ceiling, Red	A,B,D,E,F,G,J,N,R,X	✓	✓	✓	✓
AS-MC-CW	500-636007	–	YES	AS Horn Strobe: Multi-Candela Ceiling, White	A,B,D,E,F,G,J,N,R,X	✓	✓	✓	✓
AS-HMC-CR	500-636008	–	YES	AS Horn Strobe: Hi Multi-Candela Ceiling, Red	A,B,D,E,F,G,J,N,R,X	✓	✓	✓	✓
AS-HMC-CW	500-636009	–	YES	AS Horn Strobe: Hi Multi-Candela Ceiling, White	A,B,D,E,F,G,J,N,R,X	✓	✓	✓	✓
AS-HMC-CR-WP	500-636181	–	YES	AS Horn Strobe: Hi Multi-Candela Ceiling Weatherproof, Red	I, GG, HH	✓	✓	–	✓
AS-HMC-CW-WP	500-636182	–	YES	AS Horn Strobe: Hi Multi-Candela Ceiling Weatherproof, White	I, GG, HH	✓	✓	–	✓
AS-HMC-R-WP	500-636183	YES	–	AS Horn Strobe: Hi Multi-Candela Wall Weatherproof, Red	I, GG, HH	✓	✓	–	✓
AS-HMC-W-WP	500-636184	YES	–	AS Horn Strobe: Hi Multi-Candela Wall Weatherproof, White	I, GG, HH	✓	✓	–	✓
AS-75-R-WP	500-636016	YES	–	AS Horn Strobe: 75CD Weatherproof, Red	I, GG, HH	✓	✓	✓	✓
AS-75-CR-WP	500-636015	–	YES	AS Horn Strobe: 75CD Ceiling Weatherproof, Red	I, GG, HH	✓	✓	✓	✓
AH-R	500-636003	YES	YES	AH Horn, Red	A,B,D,E,F,G,J,N,R,X	✓	✓	✓	✓
AH-W	500-636004	YES	YES	AH Horn, White	A,B,D,E,F,G,J,N,R,X	✓	✓	✓	✓
AH-R-WP	500-636005	YES	YES	AH Horn: Weatherproof, Red	K, GG, HH	✓	✓	✓	✓

NOTE: There are no regulatory restrictions in mounting Siemens Series 'AH' Horn-only Appliances to either wall or ceiling applications.

However, Siemens Series 'AS' Horn | Strobe Appliances are regulatory-specific to the mounting options described above, based upon the appearance of FIRE, text shown on the sides of certain Siemens Series 'AS' faceplates.

* = Refer to data sheet #: 2585 for detailed mounting options

Agency listed / approved => ✓

Notes:

- Models AS-75-WP and AS-75-R-WP do not provide a 75cd setting.
- The Listed Candela ratings are as follows:
 - 115cd, per @UL1638, outdoor
 - 30cd, per @UL1971, indoor
 - The indoor usage is also rated 180cd when measured directly on axis

This Page Left Intentionally Blank

Notice: This marketing data sheet is not intended to be used for system design or installation purposes.
For the most up-to-date information, refer to each product's installation instructions.

SIEMENS Industry, Inc.
Building Technologies Division

Fire Safety
8 Fernwood Road
Florham Park, NJ 07932
Tel: (973) 593-2600
FAX: (908) 547-6877
URL: www.usa.Siemens.com/Fire

(SII)
Printed in U.S.A.

Fire Safety
1577 North Service Road
East Oakville, Ontario
L6H 0H6 / **Canada**
Tel: [905] 465-8000
URL: www.Siemens.CA

September 2015
Supersedes sheet dated 5/2015
(Rev. 5)